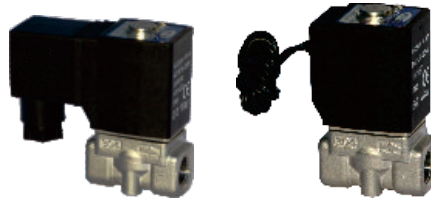


# Fluid control valve(2/2way)

## 2L Series (Direct-acting and normally closed )



### Ordering code

Ordering code of valves

**2L H 030 08 A □ T**

① ② ③ ④ ⑤ ⑥ ⑦

① Model	② Pressure condition	③ Size series	④ Port size	⑤ Voltage	⑥ Electrical entry	⑦ Thread type
2L: 2/2 way direct-acting and normally closed	H: High pressure Blank: Standard	030: 030 Series	06: 1/8" 08: 1/4"	A: AC220V B: DC24V C: AC110V E: AC24V F: DC12V	Blank: Terminal I: Grommet	T: NPT
		050: 050 Series	10: 3/8" 15: 1/2"			

### Ordering code of accessories

Ordering code of accessories is the same as 2S series valve's, Please refer to P148 for details of ordering code.

### Specification

Model\Item	Port size [Note1]	Orifice size (Φ mm)	Cv	Valid area or section (mm <sup>2</sup> )	Weight [Note2](g)	Max. operating pressure differentia		Proof pressure	
						MPa	psi	MPa	psi
2LH030	-06 1/8"	2.0	0.18	3.0	300	2.0	300	3.0	450
	-08 1/4"				290				
2L030	-06 1/8"	3.0	0.33	6.0	300	1.0	150		
	-08 1/4"				290				
2LH050	-10 3/8"	4.0	0.55	10.0	600	2.0	300		
	-15 1/2"				590				
2L050	-10 3/8"	5.0	0.83	15.0	600	1.0	150		
	-15 1/2"				590				

[Note1] NPT thread is available.

[Note2] The weight in the table is the terminal valve's weight, 2L030 series grommet valve's weight is 10g less than terminal's.

2L050series grommet valve's weight is 20g less than terminal's.

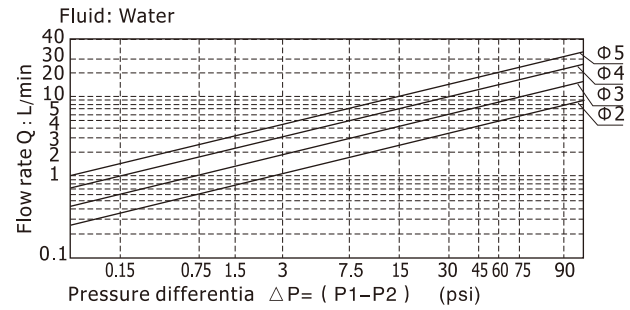
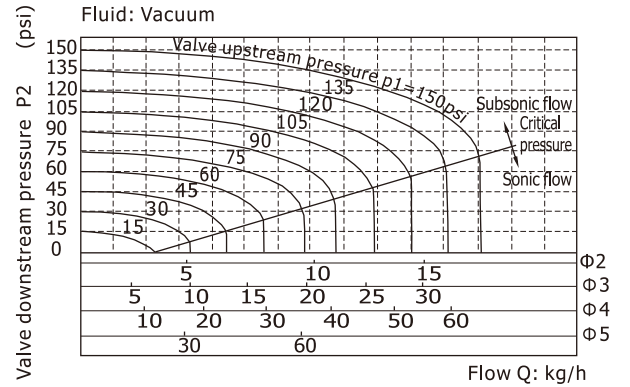
# Fluid control valve(2/2way)

## 2L Series (Direct-acting and normally closed )

### Product feature

1. Direct acting and normally closed type 2/2 way solenoid valve.  
Its high sensibility allows it to change direction quickly;
2. It has wide pressure range, including standard high pressure (H) to choose from;
3. It is compact, small size and light weight.  
It is easy to install and dismantle.
4. The valve body is made of SUS304 . Its coil has a Heat resistance classification of Class H. The standard seal material is PTFE(Teflon) which is suitable for a variety of working medium such as water with high temperature and vapour.
5. The protection class of the coil is IP65 and there is a choice for grommet or terminal electrical entry .

### Flow chart



### Valve's specification

Acting	Direct acting				
Initial state	Normally closed				
Adaptable fluid	Steam, High temperature Water, Oil				
Viscosity limit	Under 20CST				
Ambient and fluid temperature(°C)		Oil	Water	Steam	Ambient
	Max.	150	150	183	100
	Min.	-10 [Note1]	1	-	-20

[Note1] 50CST or less.

### Specification of coil

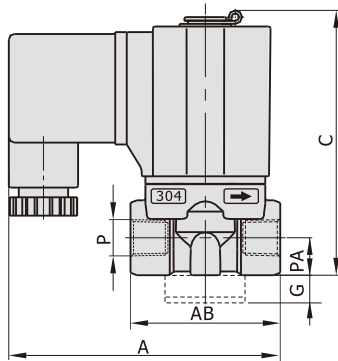
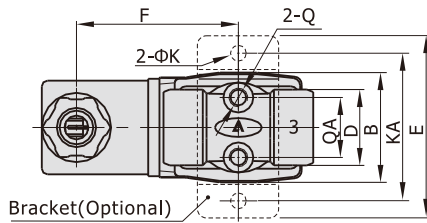
Valve type	Coil type	Power type	Frequency (Hz)	Voltage range	Power Consumption (VA/W)	Electrical entry	Insulation	Temp.rise (°C)
2L□030	CDA116 CLA116	AC	50	± 15%	10.0VA	Terminal (CDA) Grommet (CLA)	Class H	35
			60		8.0VA			30
2L□050	CDA170 CLA170	DC	-	± 10%	6.5W			30
			AC		50			± 15%
		DC	60	± 10%	22.0VA	55		
			10.5W		40			

# Fluid control valve(2/2way)

## 2L Series (Direct-acting and normally closed )

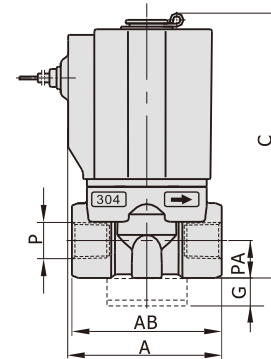
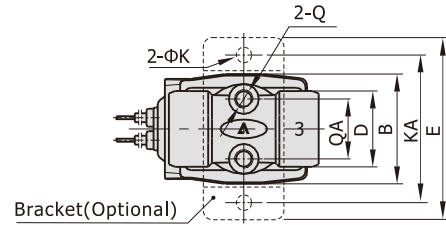
### Dimensions

#### 2L□030 (Terminal)

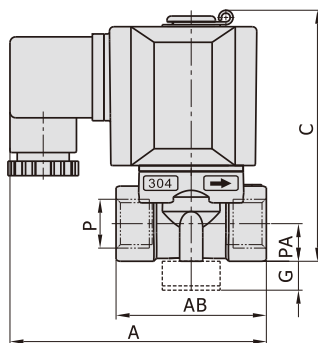
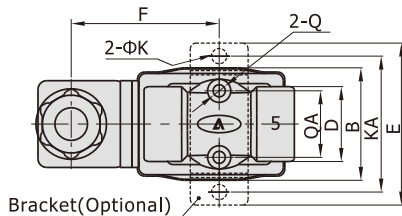


#### 2L□030(Grommet)

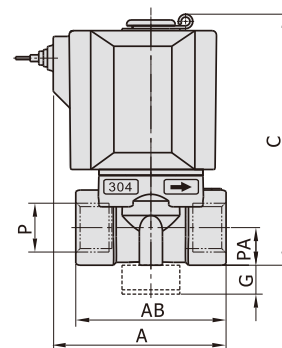
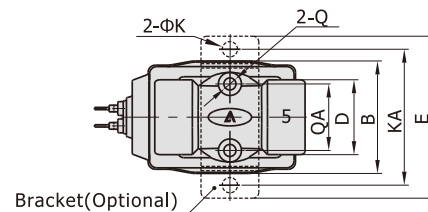
[Unit: mm]



#### 2L□050 (Terminal)



#### 2L□050(Grommet)



Model\Item	A	AB	B	C	D	E	F	G	K	KA	P	PA	Q	QA
2L□030-06	72.5	40	29.5	71	20	49	43.5	10	5.3	40	1/8"	10	M5	16
2L□030-08	72.5	40	29.5	71	20	49	43.5	10	5.3	40	1/4"	10	M5	16
2L□050-10	89.5	52	39	87	26	56	51	10	5.3	48	3/8"	13	M5	23
2L□050-15	89.5	52	39	87	26	56	51	10	5.3	48	1/2"	13	M5	23

Model\Item	A	AB	B	C	D	E	G	K	KA	P	PA	Q	QA
2L□030-06	41	40	29.5	71	20	49	10	5.3	40	1/8"	10	M5	16
2L□030-08	41	40	29.5	71	20	49	10	5.3	40	1/4"	10	M5	16
2L□050-10	60	52	39	87	26	56	10	5.3	48	3/8"	13	M5	23
2L□050-15	60	52	39	87	26	56	10	5.3	48	1/2"	13	M5	23

automationwerks.com