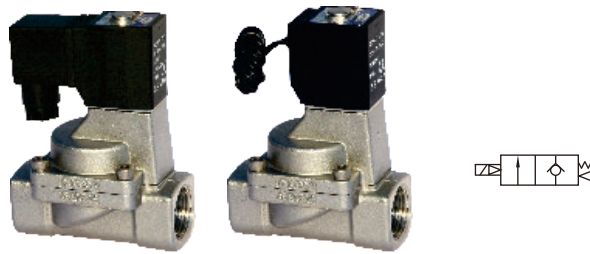


Fluid control valve(2/2way)

2L Series (Internally piloted and normally closed)



Ordering code

Ordering code of valves

2L 150 15 A □ T

① ② ③ ④ ⑤ ⑥

① Model	② Orifice size	③ Port size	④ Voltage	⑤ Electrical entry	⑥ Thread type
2L: 2/2 way internally piloted and normally closed	150: Φ15mm	15: 1/2"	A: AC220V B: DC24V C: AC110V E: AC24V F: DC12V	Blank: Terminal I: Grommet	T: NPT
	200: Φ20mm	20: 3/4"			
	250: Φ25mm	25: 1"			
	320: Φ35mm	32: 1 1/4"			
	400: Φ40mm	40: 1 1/2"			
	500: Φ50mm	50: 2"			

Ordering code of accessories

Ordering code of accessories is the same as 2S series valve's, please refer to P150 for details of ordering code.

[Note] 320\400\500 series valves do not have mounting accessories.

Specification

Model\Item	Port size [Note1]	Orifice size (Φmm)	Cv	Valid area or section (mm ²)	Weight [Note2](g)	Operating pressure differentia		Proof pressure	
						MPa	psi	MPa	psi
2L150-15	1/2"	15.0	5.50	100.0	675	Max: 1.0 Min: 0.05	Max: 150 Min: 10	1.5	220
2L200-20	3/4"	20.0	9.50	170.0	875				
2L250-25	1"	25.0	12.50	220.0	1120				
2L320-32	1 1/4"	35.0	23.00	420.0	2700				
2L400-40	1 1/2"	40.0	31.00	560.0	3250				
2L500-50	2"	50.0	49.00	880.0	4300				

[Note1] NPT thread is available.

[Note2] The weight in the table is the terminal valve's weight, 2L150~250 series grommet valve's weight is 10g less than terminal's.

2L320~500 series grommet valve's weight is 20g less than terminal's.

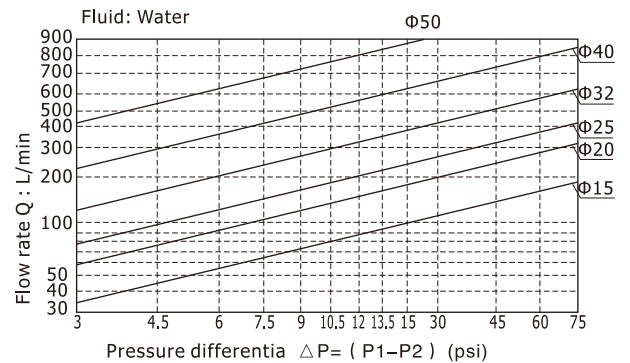
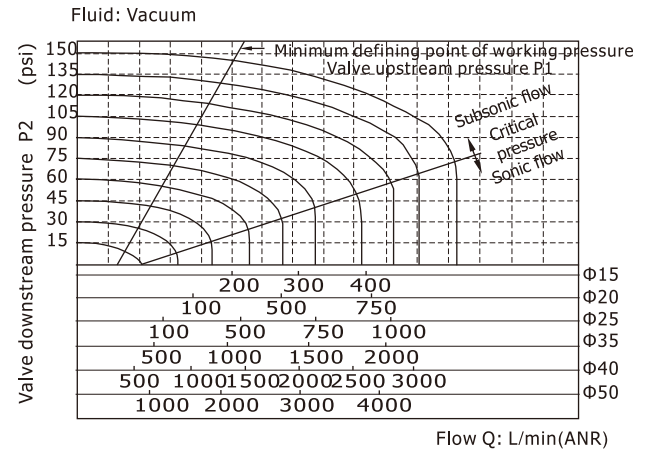
Fluid control valve(2/2way)

2L Series (Internally piloted and normally closed)

Product feature

1. Indirect acting (Internal pilot) and normally closed type 2/2 way solenoid valve. Its high sensibility allows it to change direction quickly.
2. It is compact, small size and light weight.
It is easy to install and dismantle.
3. The valve body is made of SUS304. Its coil has a Heat resistance classification of Class H. The standard seal material is PTFE (Teflon) which is suitable for a variety of working medium such as water with high temperature and vapour.
4. The protection class of the coil is IP65 and there is a choice for grommet or terminal electrical entry.

Flow chart



Valve's specification

Acting	Internally piloted				
Initial state	Normally closed				
Adaptable fluid	Steam, High temperature Water, Oil				
Viscosity limit	Under 20CST				
Ambient and fluid temperature (°C)		Oil	Water	Steam	Ambient
	Max.	150	150	183	100
	Min.	-10 [Note1]	1	-	-20

[Note1] 50CST or less.

Specification of coil

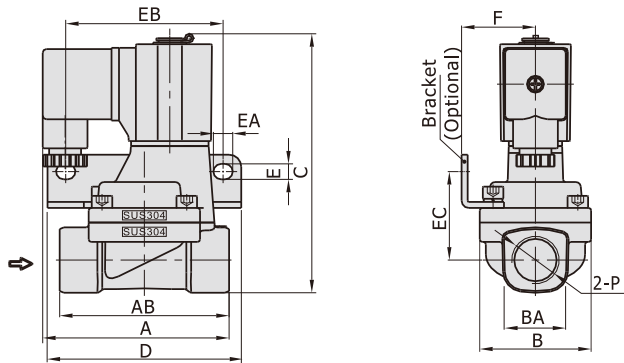
Valve type	Coil type	Power type	Frequency (Hz)	Voltage range	Electrical entry	Power Consumption (VA/W)	Insulation	Temp. rise (°C)		
2L150	CDA116 CLA116	AC	50	± 15%	Terminal (CDA)	10.0VA	Class H	35		
2L200			60			8.0VA		30		
2L250		DC	-	± 10%		6.5W		30		
2L320	CDA170 CLA170	AC	50	± 15%		Grommet (CLA)		25.0VA	Class H	60
2L400			60					22.0VA		55
2L500		DC	-	± 10%				10.5W		40

Fluid control valve(2/2way)

2L Series (Internally piloted and normally closed)

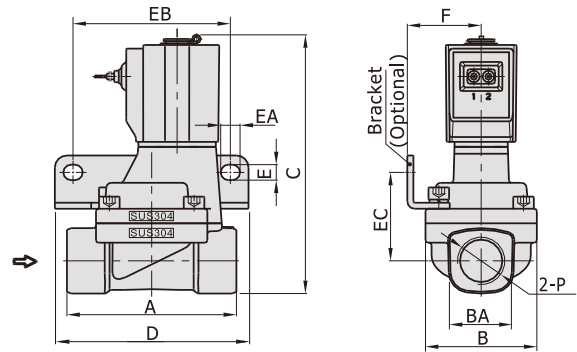
Dimensions

2L150~250 (Terminal)

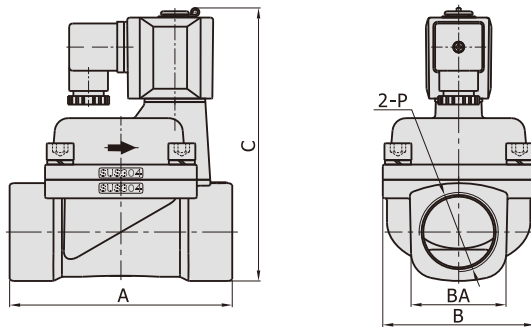


2L150~250(Grommet)

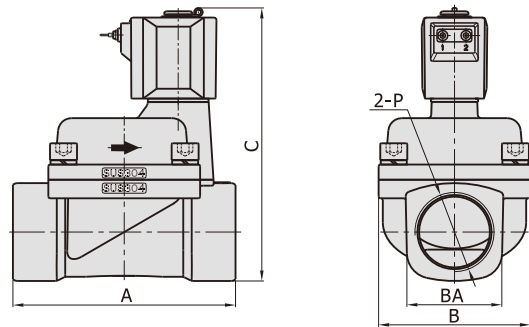
[Unit: mm]



2L320~500 (Terminal)



2L320~500(Grommet)



Model\Item	A	AB	B	BA	C	D	E	EA	EB	EC	F	P
2L150-15	77	70	46	27.5	107	80	6.4	8	65	36.5	30.5	1/2"
2L200-20	78.5	82	53	33.5	115.5	90	6.4	8	75	40	34	3/4"
2L250-25	81	92	59	40.5	124	95	6.4	8	80	44.5	36	1"
2L320-32	125	-	80	52	154.5	-	-	-	-	-	-	1 1/4"
2L400-40	132	-	90	58	162	-	-	-	-	-	-	1 1/2"
2L500-50	150	-	100	70	177	-	-	-	-	-	-	2"

Model\Item	A	B	BA	C	D	E	EA	EB	EC	F	P
2L150-15	70	46	27.5	107	80	6.4	8	65	36.5	30.5	1/2"
2L200-20	82	53	33.5	115.5	90	6.4	8	75	40	34	3/4"
2L250-25	92	59	40.5	124	95	6.4	8	80	44.5	36	1"
2L320-32	125	80	52	154.5	-	-	-	-	-	-	1 1/4"
2L400-40	132	90	58	162	-	-	-	-	-	-	1 1/2"
2L500-50	150	100	70	177	-	-	-	-	-	-	2"