

GZ Series safe on-off valve



Ordering code

GZ300 10 □ T



① Model	② Port size	③ Accessories	④ Thread type
GZ200: 200 Series soft on-off valve	06: 1/8" 08: 1/4"	Blank: Bracket J: No bracket(standard configuration)	T: NPT
GZ300: 300 Series soft on-off valve	08: 1/4" 10: 3/8" 15: 1/2"		
GZ400: 400 Series soft on-off valve	10: 3/8" 15: 1/2"		

Note : When it is used with F.R.L. combination, extra mounting bracket needed.

Specification

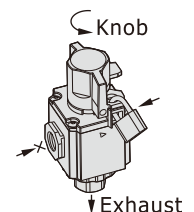
Model	GZ200-06	GZ200-08	GZ300-08	GZ300-10	GZ300-15	GZ400-10	GZ400-15
Fluid	Air						
Port size [Note1]	1/8"	1/4"	1/4"	3/8"	1/2"	3/8"	1/2"
Exhaust port size	1/4"		3/8"			1/2"	
Acting type	Manual						
Valve type	3 port 2 way						
Pressure range	0~1.0MPa(0~145psi)						
Proof pressure	1.5MPa(215psi)						
Temperature range	-20~70°C						
Operation angle	90°						
Suitable F.R.L type	GC200-06	GC200-08	GC300-08	GC300-10	GC300-15	GC400-10	GC400-15

[Note1] NPT thread is available.

Product feature

1. It is module design and can be used with G series F.R.L. combination by bracket.
2. This valve can be used as manual 3/2 way valve.
3. Visual indication marked EXH/SUP.
4. This valve meets the standard on installation conducted by operator specified by OSHA(Occupational Safety & Health Administration). When the machinery is maintained and serviced, the purge valve (Safe on-off valve) for remaining pressure shall be used to eliminate the remaining pressure when the air source is cut off. Valve must be locked to prevent accidental operation by a third party during maintenance. This prevents accidental system pressurization & cylinder actuation which can result in injuries to the machine operator.

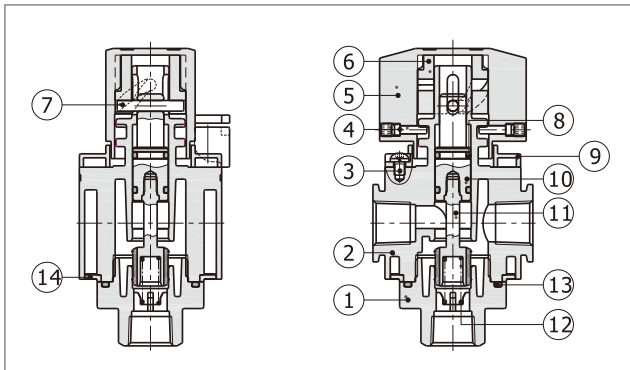
During Maintenance



Preparation unit—G Series

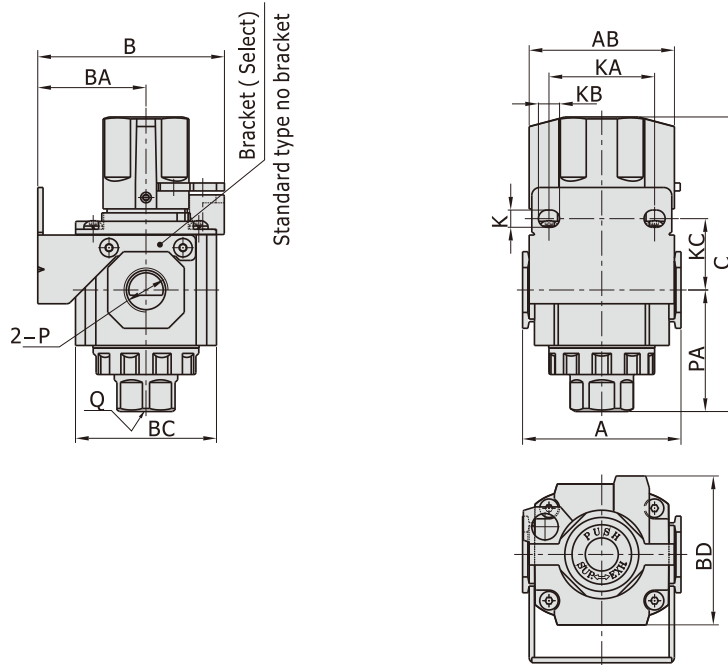
GZ Series safe on-off valve

Inner structure



No.	Item	No.	Item	No.	Item
1	Valve cap	6	Fixing plate	11	Plug
2	Body	7	pin	12	Spring
3	Screw	8	O-ring	13	O-ring
4	Operating screw	9	Cover	14	Cover
5	Adjusting screw	10	Spool		

Dimensions



[Unit: mm]

Model\Item	A	AB	B	BA	BC	BD	C	K	KA	KB	KC	P	PA	Q
GZ20006	47	42	52.6	30	40	42.5	89	5.5	27	8.5	23	1/8"	36.5	1/4"
GZ20008												1/4"		1/4"
GZ30008	60	55	70.7	41	53.5	56.5	112.5	6.5	40	8	27	1/4"	46	3/8"
GZ30010												3/8"		3/8"
GZ30015												1/2"		3/8"
GZ40010	75	65	83.9	50	64	66	134	8.5	55	11	33.5	3/8"	58.5	1/2"
GZ40015												1/2"		1/2"