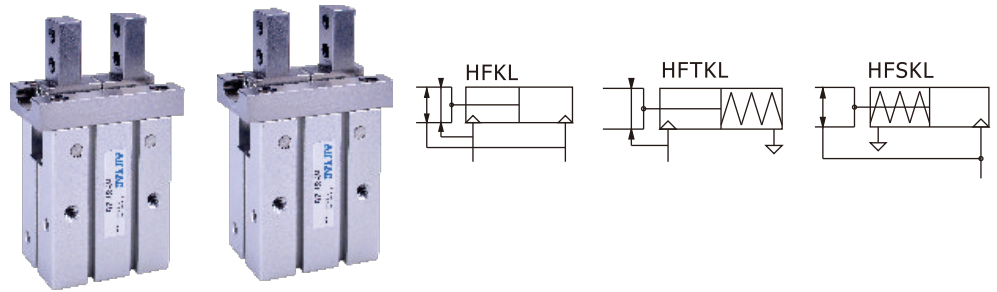




Air gripper—HFKL Series

Parallel style with guide track—Roller bearing and longer stroke



Ordering code

HFKL 20

① ② ③

① Model

HFKL: Air finger(Double acting/Longer stroke)

HFSKL: Air finger(Single acting and normally closed/Longer stroek)

HFTKL: Air finger(Single acting and normally opened/Longer stroke)

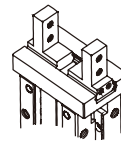
② Bore size

10 16 20 25

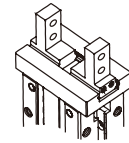
HFKL series are all attached with magnet.

③ Finger type

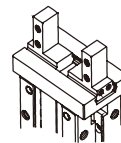
Blank: Standard



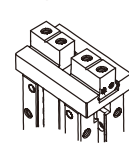
N: Thru.hole mounting type



B: Side mounting type



F: Bottom mounting type



Specification

Bore size (mm)		10	16	20	25
Acting type		Double acting		Single acting	
Fluid		Air(to be filtered by 40µm filter element)			
Operating pressure	Double acting	10	28~100psi(0.2~0.7MPa)		
		16/20/25	22~100psi(0.15~0.7MPa)		
	Single acting	10	50~100psi(0.35~0.7MPa)		
		16/20/25	36~100psi(0.25~0.7MPa)		
Temperature		-20~70℃			
Lubrication		Not required			
Repeatability mm		±0.01			
Max. frequency		120(c.p.m)			
Sensor switches		DMSH(S), CMSH		CMSG, DMSG(S), CMSH, DMSH(S)	
Port size		M3×0.5		M5×0.8	



Air gripper(parallel style—Roller bearing/Longer stroke) **AIRTAC**

HFKL Series

Bore size: $\Phi 10$, $\Phi 16$, $\Phi 20$, $\Phi 25$

Gripping force and stroke

Acting type		Double acting(HFKL)				Single acting_NO (HFTKL)				Single acting_NC (HFSKL)			
Bore size		10	16	20	25	10	16	20	25	10	16	20	25
Gripping force per finger Effective value(N)	External	11	34	45	69	7	27	35	55	-	-	-	-
	Internal	17	45	68	102	-	-	-	-	13	38	59	87
Opening/Closing stroke(Both sides)(mm)		8	12	18	22	8	12	18	22	8	12	18	22
Weight (g)	F Type	64	146	275	484	74	154	294	530	73	154	294	529
	Others	64	146	273	489	73	155	292	525	72	155	292	523

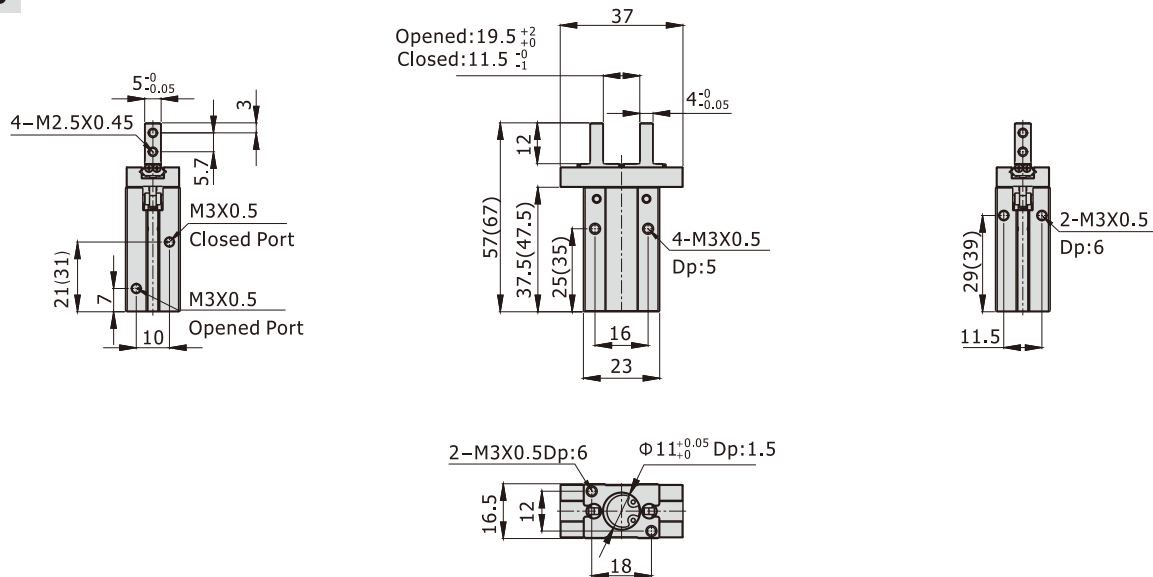
[Note] The gripping force in the above table is in the working pressure of 75psi, and with a gripping point of L=20mm.

Add) Please refer to page 386 for the definition of "L".

Dimensions

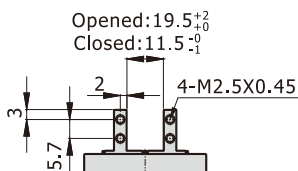
HFKL10

[Unit: mm]

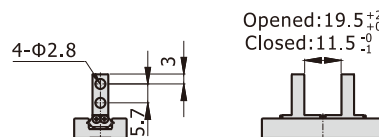


[Note]The values in "()" in the above table are single acting type sizes.

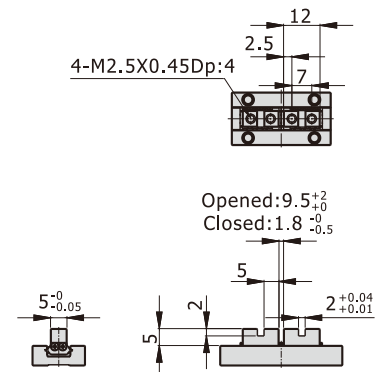
Side mounting type(B type)



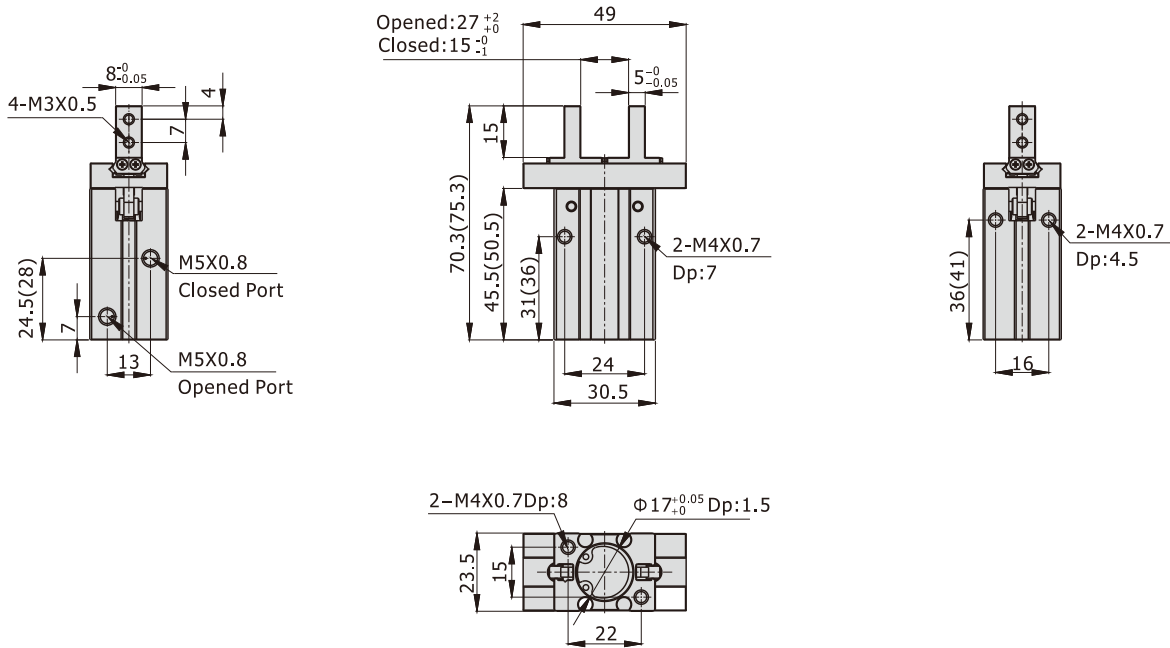
Thru.hole mounting type(N type)



Bottom mounting type(F type)

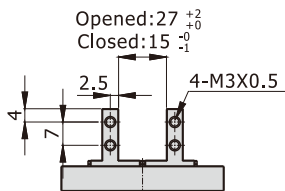


HFKL16

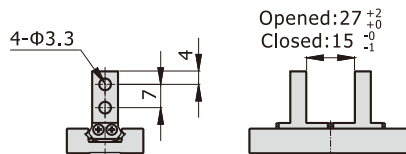


[Note]The values in "()" in the above table are single acting type sizes.

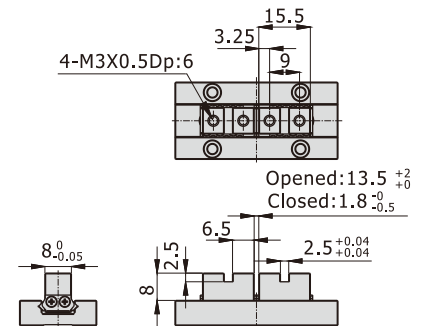
Side mounting type(B type)



Thru.hole mounting type(N type)



Bottom mounting type(F type)

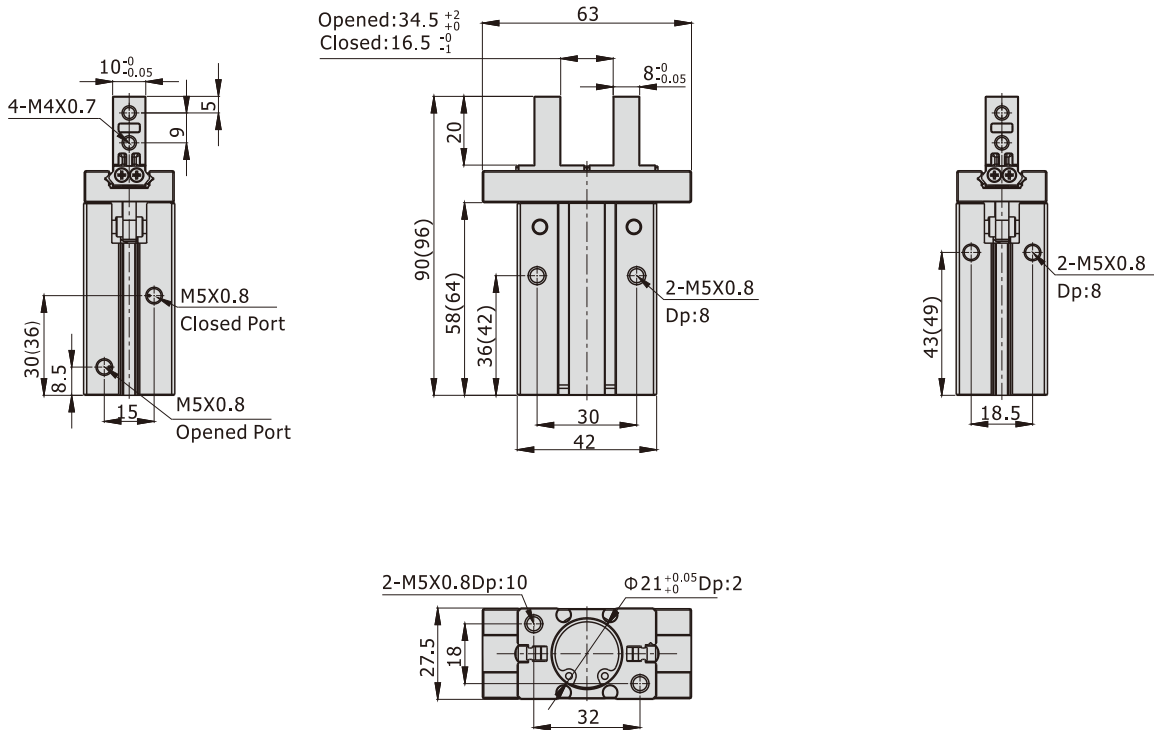


Air gripper(parallel style—Roller bearing/Longer stroke) **AIRTAC**

HFKL Series

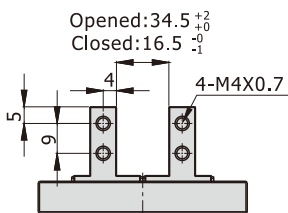
Bore size: $\Phi 10$, $\Phi 16$, $\Phi 20$, $\Phi 25$

HFKL20

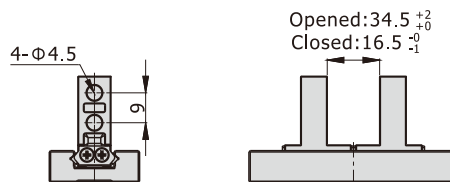


[Note]The values in "()" in the above table are single acting type sizes.

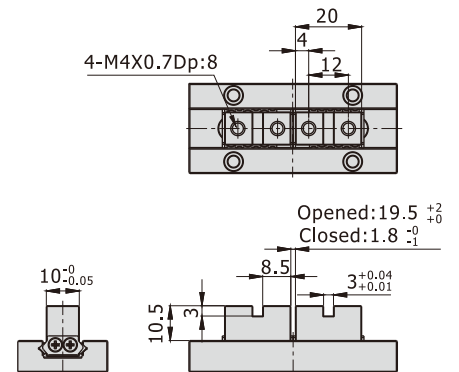
Side mounting type(B type)



Thru-hole mounting type(N type)



Bottom mounting type(F type)

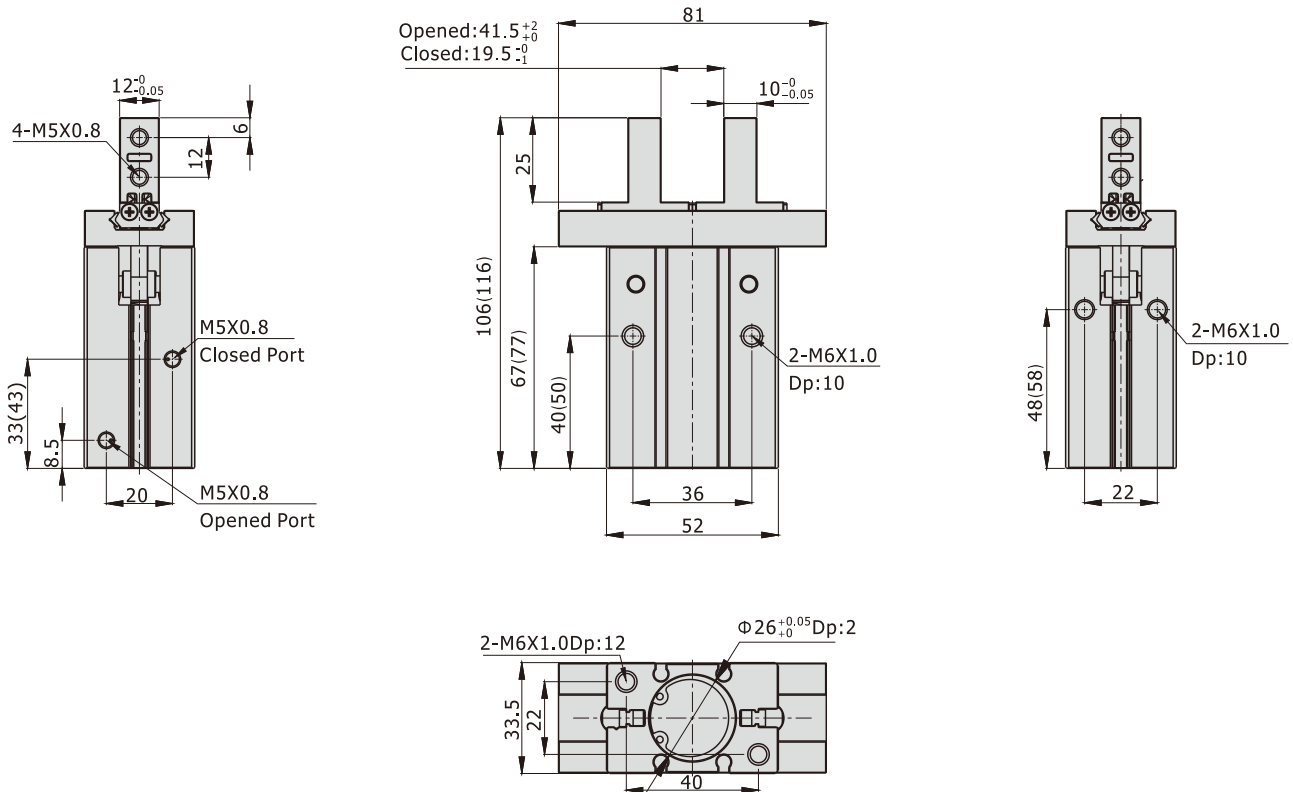


Air gripper(parallel style—Roller bearing/Longer stroke) **AIRTAC**

HFKL Series

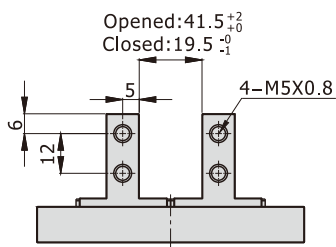
Bore size: $\Phi 10$, $\Phi 16$, $\Phi 20$, $\Phi 25$

HFKL25

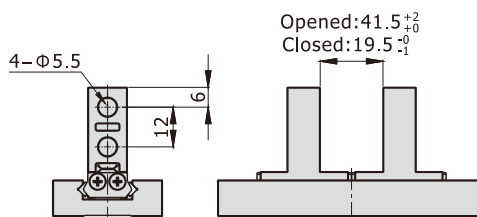


[Note]The values in “()” in the above table are single acting type sizes.

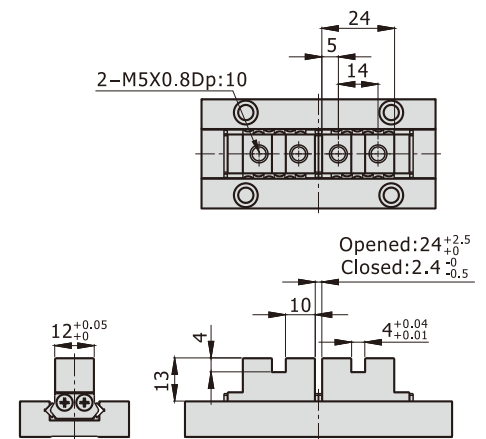
Side mounting type(B type)



Thru-hole mounting type(N type)



Bottom mounting type(F type)



How to select product \ Installation and application

Please refer to HFK series for details.

