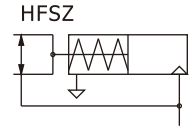
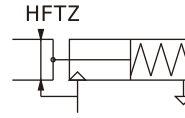




Air gripper—HFZ Series

Parallel style with guide track—Ball bearing



Ordering code

HFZ 20

① ② ③

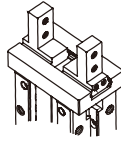
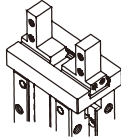
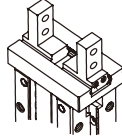
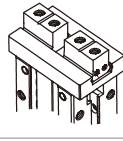
① Model

HFZ: Air finger(Double acting)
 HFSZ: Air finger
 (Single acting and normally closed)
 HFTZ: Air finger
 (Single acting and normally opened)

② Bore size

6 10 16 20 25 32 40
 HFZ series are all attached with magnet.

③ Finger type

Bore size	Finger type	
6 10 16 20 25 32 40	Blank: Standard 	
6	B: Side mounting type 	N: Thru.hole mounting type 
	F: Bottom mounting type 	

Specification

Bore size (mm)		6	10	16	20	25	32	40
Acting type		Double acting		Single acting				
Fluid		Air(to be filtered by 40μm filter element)						
Operating pressure	Double acting	Φ6, Φ10	28~100psi(0.2~0.7MPa)					
		Others	22~100psi(0.15~0.7MPa)					
	Single acting	Φ6, Φ10	50~100psi(0.35~0.7MPa)					
		Others	36~100psi(0.25~0.7MPa)					
Temperature		-20~70℃						
Lubrication		Not required						
Repeatability mm		±0.01					±0.02	
Max. frequency		180(c.p.m)					60(c.p.m)	
Sensor switches		DMSH(S), CMSH		CMSG, DMSG(S),DMSH(S),CMSH				
Port size		M3×0.5			M5×0.8			



Air gripper(parallel style——Ball bearing)



HFZ Series

Bore size: $\Phi 6$, $\Phi 10$, $\Phi 16$, $\Phi 20$, $\Phi 25$, $\Phi 32$, $\Phi 40$

Gripping force and stroke

Acting type		Double acting(HFZ)							Single acting_NO (HFTZ)							Single acting_NC (HFSZ)						
Bore size		6	10	16	20	25	32	40	6	10	16	20	25	32	40	6	10	16	20	25	32	40
Gripping force per finger Effective value(N)	External	3.3	11	34	45	69	160	255	1.9	7	27	35	55	133	220	-	-	-	-	-	-	-
	Internal	6.1	17	45	68	102	195	320	-	-	-	-	-	-	-	3.7	13	38	59	87	163	270
Opening/Closing stroke(Both sides)(mm)		3	4	6	10	14	22	30	3	4	6	10	14	22	30	3	4	6	10	14	22	30
Weight (g)	F Type	24	-	-	-	-	-	-	25	-	-	-	-	-	-	25	-	-	-	-	-	-
	Others	25	56	124	236	428	729	1268	26	57	125	238	430	778	1365	26	57	125	238	430	778	1365

[Note] The gripping force in the above table is in the working pressure of 75psi, and with a gripping point of L=20mm.

Add) Please refer to page 386 for the definition of "L".



Air gripper(parallel style—Ball bearing)

AIRTAC

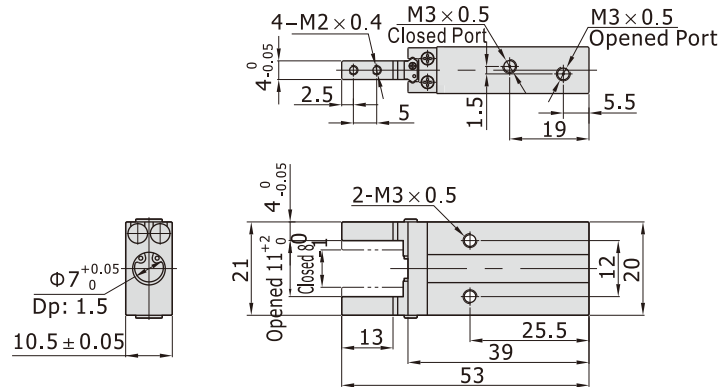
HFZ Series

Bore size: $\Phi 6$, $\Phi 10$, $\Phi 16$, $\Phi 20$, $\Phi 25$, $\Phi 32$, $\Phi 40$

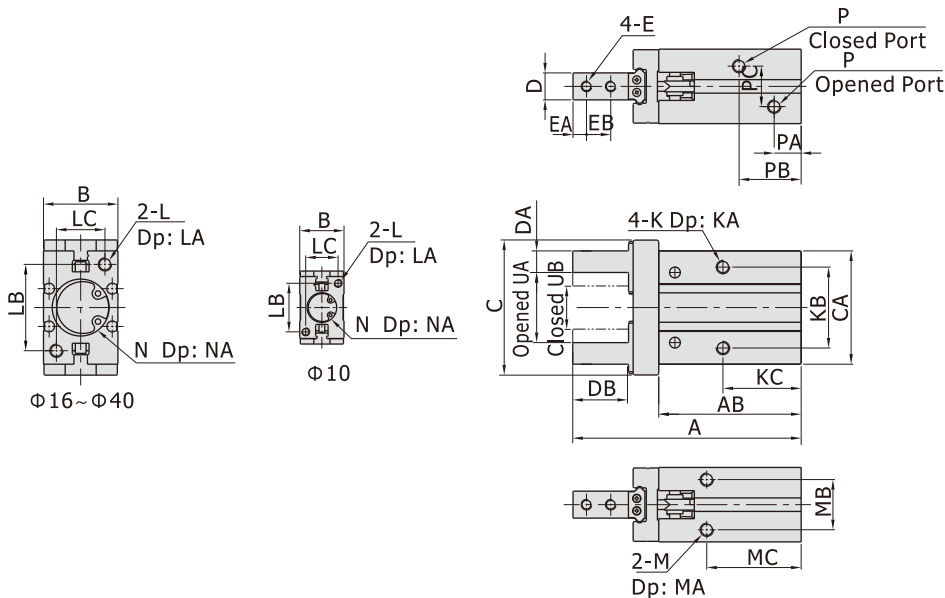
Dimensions

Standard

$\Phi 6$



$\Phi 10 \sim \Phi 40$



[Unit: mm]

Model\Item	A	AB	B	C	CA	D	DA	DB	E	EA	EB	K	KA	KB	KC	L
HFZ10	57	37.5	16.5	30	23	5 ^{-0.05/0}	4 ^{-0.05/0}	12	M2.5×0.45	3	5.7	M3×0.5	5	16	23	M3×0.5
HFZ16	67.5	42.5	23.5	39	30.5	8 ^{-0.05/0}	5 ^{-0.05/0}	15	M3×0.5	4	7	M4×0.7	7	24	24.5	M4×0.7
HFZ20	85	53	27.5	53	42	10 ^{-0.05/0}	8 ^{-0.05/0}	20	M4×0.7	5	9	M5×0.8	8	30	29	M5×0.8
HFZ25	103	64	33.5	71	52	12 ^{-0.05/0}	10 ^{-0.05/0}	25	M5×0.8	6	12	M6×1.0	10	36	30	M6×1.0
HFZ32	113(122)	67(76)	40	106	60	15 ^{-0.05/0}	12 ^{-0.05/0}	29	M6×1.0	7	14	M6×1.0	10	46	40(49)	M6×1.0
HFZ40	139(152)	83(96)	48	132	72	18 ^{-0.05/0}	14 ^{-0.05/0}	36	M8×1.25	9	17	M8×1.25	12	56	49(62)	M8×1.25

Model\Item	LA	LB	LC	M	MA	MB	MC	N	NA	P	PA	PB	PC	UA(Opened)	UB(Closed)
HFZ10	6	18	12	M3×0.5	6	11.5	27	$\Phi 11^{+0.05/0}$	1.5	M3×0.5	7	19	10	15.5 ^{+2/0}	11.5 ^{0/-1}
HFZ16	8	22	15	M4×0.7	4.5	16	30	$\Phi 17^{+0.05/0}$	1.5	M5×0.8	7.5	19	13	21 ^{+2/0}	15 ^{0/-1}
HFZ20	10	32	18	M5×0.8	8	18.5	35	$\Phi 21^{+0.05/0}$	2	M5×0.8	9.5	23	15	26.5 ^{+2/0}	16.5 ^{0/-1}
HFZ25	12	40	22	M6×1.0	10	22	36.5	$\Phi 26^{+0.05/0}$	2	M5×0.8	9	24	20	33.5 ^{+2/0}	19.5 ^{0/-1}
HFZ32	12	46	26	M6×1.0	10	26	48(57)	$\Phi 34^{+0.05/0}$	2.5	M5×0.8	9.5	31(40)	24	48 ^{+2.5/0}	26 ^{0/-1}
HFZ40	16	56	32	M8×1.25	12	32	58(71)	$\Phi 42^{+0.05/0}$	2.5	M5×0.8	10.5	38(50)	28	60 ^{+2.5/0}	30 ^{0/-1}

[Note]The values in "()" in the above table are single acting type sizes.



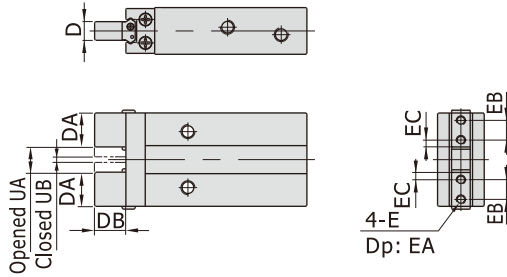
Air gripper(parallel style—Ball bearing)

HFZ Series

Bore size: $\Phi 6$, $\Phi 10$, $\Phi 16$, $\Phi 20$, $\Phi 25$, $\Phi 32$, $\Phi 40$

Bottom mounting type(F type)

$\Phi 6$



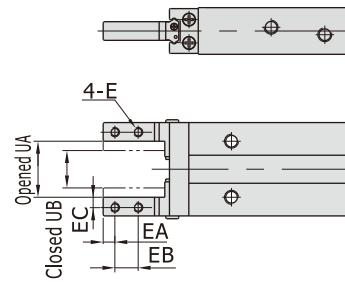
[Unit: mm]

Model\Item	D	DA	DB	EA	EB	E
HFZ6-F	4 ⁰ _{-0.05}	7.5	7	3	3.5	M2×0.4

Model\Item	UA(Opened)	UB(Closed)
HFZ6-F	4 ^{+1.5} ₀	1.8 ⁰ _{-0.5}

Side mounting type(B type)

$\Phi 6$



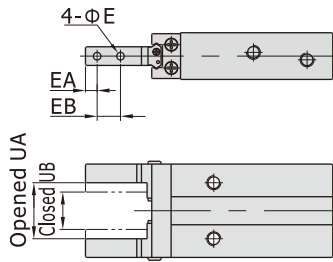
[Unit: mm]

Model\Item	E	EA	EB	EC
HFZ6-B	M2×0.4	2.5	5	2

Model\Item	UA(Opened)	UB(Closed)
HFZ6-B	11 ⁺² ₀	8 ⁰ ₋₁

Thru.hole mounting type(N type)

$\Phi 6$



[Unit: mm]

Model\Item	E	EA	EB
HFZ6-N	2.3	2.5	5

Model\Item	UA(Opened)	UB(Closed)
HFZ6-N	11 ⁺² ₀	8 ⁰ ₋₁

[Note] The other dimensions are the same as standard type.

How to select product \ Installation and application

Please refer to HFK series for details.