

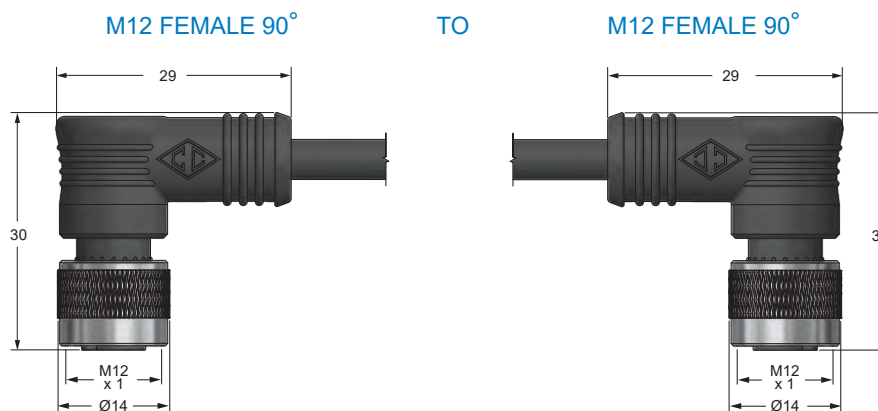
**canfield
connector**

CANFast[®]
round connectors

RP SERIES
M12 90° TO M12 90°
MOLDED PATCH CORD
ROUND CONNECTORS

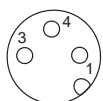
DIMENSIONAL DATA

All dimensions are in millimeters unless otherwise noted.



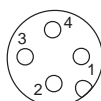
M12 90° PIN CONFIGURATION

**3 Pin
Female**



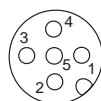
Pin 1 = Brown
Pin 3 = Blue
Pin 4 = Black

**4 Pin
Female**



Pin 1 = Brown
Pin 2 = White
Pin 3 = Blue
Pin 4 = Black

**5 Pin
Female**



Pin 1 = Brown
Pin 2 = White
Pin 3 = Blue
Pin 4 = Black
Pin 5 = Gray

ORDERING INFORMATION

Consult Factory for stock availability.

M12 FEMALE 90° TO M12 FEMALE 90°

Length	Wire Type	3 Pin	4 Pin	5 Pin
1 meter	PVC	RP12AFM030210C10-12AFM032A	RP12AFM040210C10-12AFM042A	RP12AFM050210C10-12AFM052A
	shielded	RP12AFM030210S10-12AFM032A	RP12AFM040210S10-12AFM042A	RP12AFM050210S10-12AFM052A
	PUR	RP12AFM030210R10-12AFM032A	RP12AFM040210R10-12AFM042A	RP12AFM050210R10-12AFM052A
	shielded	RP12AFM030210P10-12AFM032A	RP12AFM040210P10-12AFM042A	RP12AFM050210P10-12AFM052A
2 meter	PVC	RP12AFM030220C10-12AFM032A	RP12AFM040220C10-12AFM042A	RP12AFM050220C10-12AFM052A
	shielded	RP12AFM030220S10-12AFM032A	RP12AFM040220S10-12AFM042A	RP12AFM050220S10-12AFM052A
	PUR	RP12AFM030220R10-12AFM032A	RP12AFM040220R10-12AFM042A	RP12AFM050220R10-12AFM052A
	shielded	RP12AFM030220P10-12AFM032A	RP12AFM040220P10-12AFM042A	RP12AFM050220P10-12AFM052A
3 meter	PVC	RP12AFM030230C10-12AFM032A	RP12AFM040230C10-12AFM042A	RP12AFM050230C10-12AFM052A
	shielded	RP12AFM030230S10-12AFM032A	RP12AFM040230S10-12AFM042A	RP12AFM050230S10-12AFM052A
	PUR	RP12AFM030230R10-12AFM032A	RP12AFM040230R10-12AFM042A	RP12AFM050230R10-12AFM052A
	shielded	RP12AFM030230P10-12AFM032A	RP12AFM040230P10-12AFM042A	RP12AFM050230P10-12AFM052A
5 meter	PVC	RP12AFM030250C10-12AFM032A	RP12AFM040250C10-12AFM042A	RP12AFM050250C10-12AFM052A
	shielded	RP12AFM030250S10-12AFM032A	RP12AFM040250S10-12AFM042A	RP12AFM050250S10-12AFM052A
	PUR	RP12AFM030250R10-12AFM032A	RP12AFM040250R10-12AFM042A	RP12AFM050250R10-12AFM052A
	shielded	RP12AFM030250P10-12AFM032A	RP12AFM040250P10-12AFM042A	RP12AFM050250P10-12AFM052A
10 meter	PVC	RP12AFM03020AC10-12AFM032A	RP12AFM04020AC10-12AFM042A	RP12AFM05020AC10-12AFM052A
	shielded	RP12AFM03020AS10-12AFM032A	RP12AFM04020AS10-12AFM042A	RP12AFM05020AS10-12AFM052A
	PUR	RP12AFM03020AR10-12AFM032A	RP12AFM04020AR10-12AFM042A	RP12AFM05020AR10-12AFM052A
	shielded	RP12AFM03020AP10-12AFM032A	RP12AFM04020AP10-12AFM042A	RP12AFM05020AP10-12AFM052A