



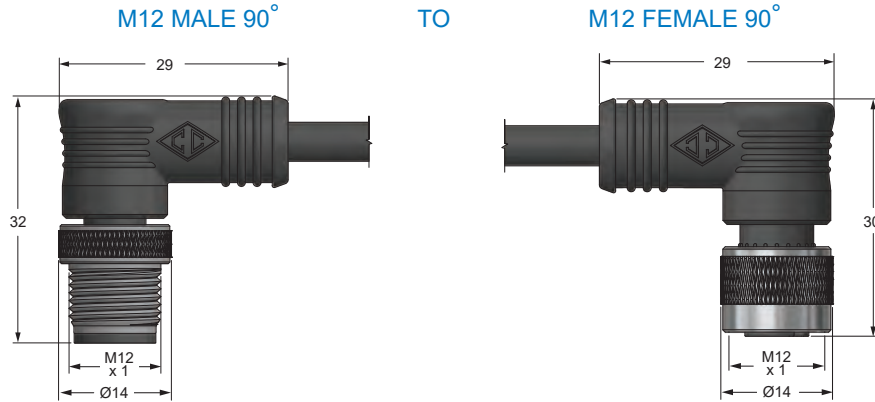
**canfield
connector**

CANFast
round connectors

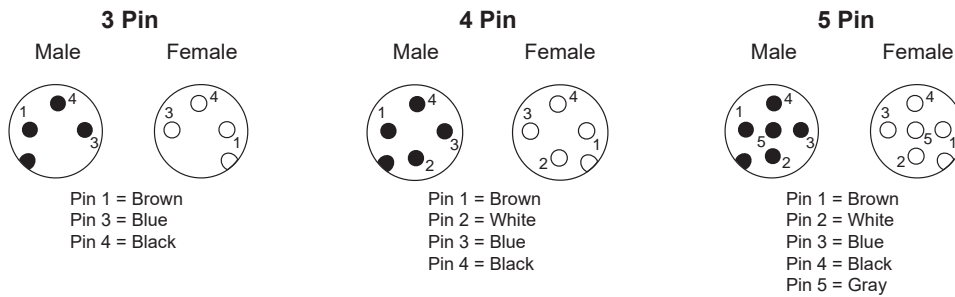
RP SERIES
M12 90° TO M12 90°
MOLDED PATCH CORD
ROUND CONNECTORS

DIMENSIONAL DATA

All dimensions are in millimeters unless otherwise noted.



M12 90° PIN CONFIGURATION



ORDERING INFORMATION

Consult Factory for stock availability.

M12 MALE 90° TO M12 FEMALE 90°

Length	Wire Type	3 Pin	4 Pin	5 Pin
1 meter	PVC	RP12AMM030210C10-12AFM032A	RP12AMM040210C10-12AFM042A	RP12AMM050210C10-12AFM052A
	shielded	RP12AMM030210S10-12AFM032A	RP12AMM040210S10-12AFM042A	RP12AMM050210S10-12AFM052A
	PUR	RP12AMM030210R10-12AFM032A	RP12AMM040210R10-12AFM042A	RP12AMM050210R10-12AFM052A
	shielded	RP12AMM030210P10-12AFM032A	RP12AMM040210P10-12AFM042A	RP12AMM050210P10-12AFM052A
2 meter	PVC	RP12AMM030220C10-12AFM032A	RP12AMM040220C10-12AFM042A	RP12AMM050220C10-12AFM052A
	shielded	RP12AMM030220S10-12AFM032A	RP12AMM040220S10-12AFM042A	RP12AMM050220S10-12AFM052A
	PUR	RP12AMM030220R10-12AFM032A	RP12AMM040220R10-12AFM042A	RP12AMM050220R10-12AFM052A
	shielded	RP12AMM030220P10-12AFM032A	RP12AMM040220P10-12AFM042A	RP12AMM050220P10-12AFM052A
3 meter	PVC	RP12AMM030230C10-12AFM032A	RP12AMM040230C10-12AFM042A	RP12AMM050230C10-12AFM052A
	shielded	RP12AMM030230S10-12AFM032A	RP12AMM040230S10-12AFM042A	RP12AMM050230S10-12AFM052A
	PUR	RP12AMM030230R10-12AFM032A	RP12AMM040230R10-12AFM042A	RP12AMM050230R10-12AFM052A
	shielded	RP12AMM030230P10-12AFM032A	RP12AMM040230P10-12AFM042A	RP12AMM050230P10-12AFM052A
5 meter	PVC	RP12AMM030250C10-12AFM032A	RP12AMM040250C10-12AFM042A	RP12AMM050250C10-12AFM052A
	shielded	RP12AMM030250S10-12AFM032A	RP12AMM040250S10-12AFM042A	RP12AMM050250S10-12AFM052A
	PUR	RP12AMM030250R10-12AFM032A	RP12AMM040250R10-12AFM042A	RP12AMM050250R10-12AFM052A
	shielded	RP12AMM030250P10-12AFM032A	RP12AMM040250P10-12AFM042A	RP12AMM050250P10-12AFM052A
10 meter	PVC	RP12AMM03020AC10-12AFM032A	RP12AMM04020AC10-12AFM042A	RP12AMM05020AC10-12AFM052A
	shielded	RP12AMM03020AS10-12AFM032A	RP12AMM04020AS10-12AFM042A	RP12AMM05020AS10-12AFM052A
	PUR	RP12AMM03020AR10-12AFM032A	RP12AMM04020AR10-12AFM042A	RP12AMM05020AR10-12AFM052A
	shielded	RP12AMM03020AP10-12AFM032A	RP12AMM04020AP10-12AFM042A	RP12AMM05020AP10-12AFM052A