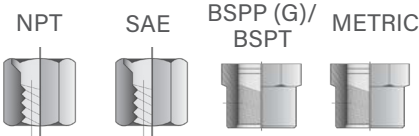


# ZGN / INTERNAL SEALING CONNECTION TOOL

Wide tolerance grip and seal connection tool for multiple sizes / types - fits any internal thread.

## CONNECTS TO:



## SPECIFICATIONS

| Pressure Rating                              | Pilot Pressure   | Operating Temperatures               |
|--|--|--------------------------------------|
| <b>ZGNL:</b><br>Vacuum to 120 psi (8.3 bar)  | N/A  | -40°F to +250°F<br>(-40°C to +121°C) |
| <b>ZGNP:</b><br>Vacuum to 300 psi (20.7 bar) | 60 psi (4.1 bar) minimum                               |                                      |
| Termination Port                             | Materials of Construction                              | Seal Material*                       |
| 1/8 NPT, 1/4 NPT                             | Anodized Aluminum, Stainless Steel, Handles PVC Dipped | Standard: Buna-N                     |

\*Additional seal material types available, consult factory.

- 1 Pressure assisted sealing and gripping of threaded port to safely grip under pressure
- 2 Patented design allows for each tool to connect to multiple thread sizes / styles
- 3 Self aligning sleeve for repeatable / reliable connections, even with miss-alignment
- 4 Compact size fits into tight spaces and tightly spaced bores
- 5 Pneumatic operation can be used for automated testing or end of arm grip and hold - lever operation for manual applications

## ACTUATION METHOD

**ZGNL Lever Handles:** Lever operation for manual applications.

**ZGNP Pneumatic:** Pneumatic operation can be used for automated testing or end of arm grip and hold.

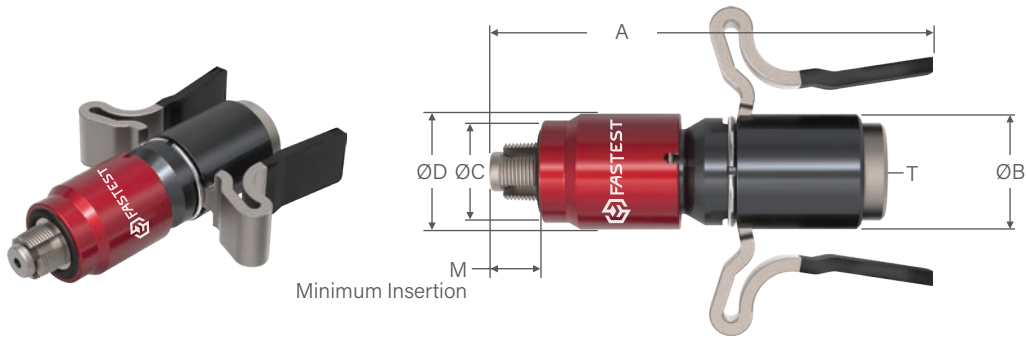
## ICON™ TECHNOLOGY

Consult Factory

## ACCESSORIES

Visit [fastestinc.com](http://fastestinc.com)

# ZGNL / MANUAL INTERNAL SEALING CONNECTION TOOL



| Ordering Information |             |               |             | Dimensions |   |   |   |                      |   |   |
|----------------------|-------------|---------------|-------------|------------|---|---|---|----------------------|---|---|
| Connects To          | Part Number | Main Seal Set | Rebuild Kit | A          | B | C | D | Thread Minor Ø Range | M | T |

**ZGNL** | Wide Tolerance Manual Sealing Connection Tool for Internal Threads

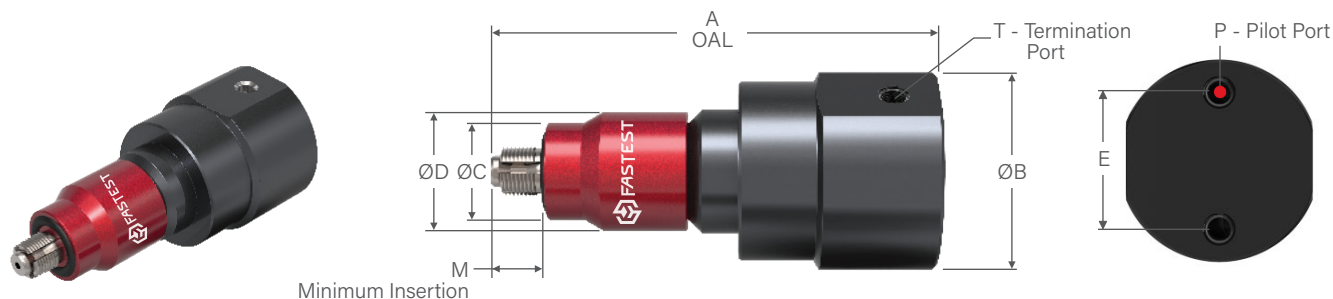
|   |        |              |        |                |                |                               |                |                                |                |         |
|---|--------|--------------|--------|----------------|----------------|-------------------------------|----------------|--------------------------------|----------------|---------|
| 1/8 NPT<br>3/8-24 SAE<br>1/8 BSPP (G)<br>1/8 BSPT<br>M10x1.0<br>M10x1.25<br>M10x1.5 | ZGNL1  | S1110B60     | RZGNL1 | 3.25<br>(82.6) | 0.88<br>(22.4) | 0.64<br>(16.3)                | 0.78<br>(19.8) | 0.34 to 0.36<br>(8.5 to 9.1)   | 0.32<br>(8.1)  | 1/8 NPT |
| 7/16-20 UNF   | ZGNL1A | S21030391B70 | RZGNL1 |                |                | 0.67<br>(17.0)                |                | 0.38 to 0.40<br>(9.7 to 10.2)  |                |         |
| 1/4 NPT<br>1/4 BSPP (G)<br>1/4 BSPT<br>M14x1.5<br>1/2-20 SAE<br>9/16-18 SAE         | ZGNL2  | S1112B60     | RZGNL2 | 3.34<br>(82.8) | 0.87<br>(22.1) | 0.77<br>(19.6)                | 0.87 (22.1)    | 0.45 to 0.50<br>(11.4 to 12.7) | 0.40<br>(10.2) | 1/8 NPT |
| M12x1.0<br>M12x1.5  | ZGNL2A | S21030456B70 | RZGNL2 |                |                | 0.74<br>(18.8)                |                | 0.42 to 0.44<br>(10.7 to 11.2) |                |         |
| 3/8 NPT<br>3/8 BSPP (G)<br>3/8 BSPT   | ZGNL3  | S1114B60     | RZGNL3 | 3.61<br>(91.7) | 1.12<br>(22.4) | 0.90<br>(22.9)                | 0.99 (25.1)    | 0.59 to 0.61<br>(15.0 to 15.5) | 0.45<br>(11.4) | 1/4 NPT |
| M16x1.5<br>5/8-24 SAE   | ZGNL3A | S1114B60     | RZGNL3 |                |                | 0.56 to .58<br>(14.2 to 14.7) |                |                                |                |         |
| 1/2 NPT<br>1/2 BSPP (G)<br>1/2 BSPT<br>M20x1.5                                      | ZGNL4  | S1116B60     | RZGNL4 | 3.62<br>(91.9) | 1.32<br>(33.5) | 1.06<br>(26.9)                | 1.22 (31.0)    | 0.71 to 0.74<br>(18.0 to 18.8) | 0.50<br>(12.7) | 1/4 NPT |
| M18x1.5   | ZGNL4A | S1115B60     | RZGNL4 |                |                | 1.03<br>(26.2)                |                | 0.65 to 0.67<br>(16.5 to 17.0) |                |         |
| 3/4-16 SAE  | ZGNL4B | S1116B60     | RZGNL4 |                |                | 1.06<br>(26.9)                |                | 0.68 to 0.71<br>(17.3 to 18.0) |                |         |

Dimensions: inch (mm)



**DON'T SEE A SOLUTION FOR YOUR APPLICATION?** Submit a custom application form and drawing to [fastsales@fastestinc.com](mailto:fastsales@fastestinc.com) or to your local distributor.

# ZGNP / PNEUMATIC INTERNAL SEALING CONNECTION TOOL



| Ordering Information |             |               |             | Dimensions |   |   |   |   |                      |   |   |   |
|----------------------|-------------|---------------|-------------|------------|---|---|---|---|----------------------|---|---|---|
| Connects To          | Part Number | Main Seal Set | Rebuild Kit | A          | B | C | D | E | Thread Minor Ø Range | M | P | T |

**ZGNP** | Wide Tolerance Pneumatic Sealing Connection Tool for Automated Testing of Internal Threads

|   |        |              |        |                |                |                |                |                |                                |                |              |            |
|---|--------|--------------|--------|----------------|----------------|----------------|----------------|----------------|--------------------------------|----------------|--------------|------------|
| 1/8 NPT<br>3/8-24 SAE<br>1/8 BSPP (G)<br>1/8 BSPT<br>M10x1.0<br>M10x1.25<br>M10x1.5 | ZGNP1  | S1110B60     | RZGNP1 | 2.92<br>(74.2) | 1.30<br>(33.0) | 0.64<br>(16.3) | 0.78<br>(19.8) | 0.88<br>(22.4) | 0.34 to 0.36<br>(8.5 to 9.1)   | 0.32<br>(8.1)  | 10-32<br>UNF | 1/8<br>NPT |
| 7/16-20 SAE   | ZGNP1A | S21030391B70 | RZGNP1 |                |                | 0.67<br>(17.0) |                |                | 0.38 to 0.40<br>(9.7 to 10.2)  |                |              |            |
| 1/4 NPT<br>1/4 BSPP (G)<br>1/4 BSPT<br>M14x1.5<br>1/2-20 SAE<br>9/16-18 SAE         | ZGNP2  | S1112B60     | RZGNP2 | 3.08<br>(78.2) | 1.30<br>(33.0) | 0.77<br>(19.6) | 0.87<br>(22.1) | 0.88<br>(22.4) | 0.45 to 0.50<br>(11.4 to 12.7) | 0.40<br>(10.2) | 10-32<br>UNF | 1/8<br>NPT |
| M12x1.0<br>M12x1.5  | ZGNP2A | S21030456B70 | RZGNP2 |                |                | 0.74<br>(18.8) |                |                | 0.42 to 0.44<br>(10.7 to 11.2) |                |              |            |
| 3/8 NPT<br>3/8 BSPP (G)<br>3/8 BSPT   | ZGNP3  | S1114B60     | RZGNP3 | 3.52<br>(89.4) | 1.75<br>(44.5) | 0.90<br>(22.9) | 0.99<br>(25.1) | 1.13<br>(28.7) | 0.59 to 0.61<br>(15.0 to 15.5) | 0.45<br>(11.4) | 1/8<br>NPT   | 1/4<br>NPT |
| M16x1.5<br>5/8-24 SAE   | ZGNP3A | S1114B60     | RZGNP3 |                |                | 0.90<br>(22.9) |                |                | 0.56 to .58<br>(14.2 to 14.7)  |                |              |            |
| 1/2 NPT<br>1/2 BSPP (G)<br>1/2 BSPT<br>M20x1.5                                      | ZGNP4  | S1116B60     | RZGNP4 | 3.60<br>(91.4) | 1.75<br>(44.5) | 1.06<br>(26.9) | 1.22<br>(31.0) | 1.13<br>(28.7) | 0.71 to 0.74<br>(18.0 to 18.8) | 0.50<br>(12.7) | 1/8<br>NPT   | 1/4<br>NPT |
| M18x1.5   | ZGNP4A | S1115B60     | RZGNP4 |                |                | 1.03<br>(26.2) |                |                | Contact<br>Factory             |                |              |            |
| 3/4-16 SAE  | ZGNP4B | S1116B60     | RZGNP4 |                |                | 1.06<br>(26.9) |                |                | Contact<br>Factory             |                |              |            |

Dimensions: inch (mm)

## Product Comparison Guide



| Product Comparison Guide                        | TwistMate® (MIT) | ZGN™ (ZGNL / ZGNP) | FasMate® (FNL / FNP / FNV) |
|---|------------------|--------------------|----------------------------|
| Low Pressure < 300 psi (20.7 bar)               |                  | ✓                  |                            |
| Low Volume Production < 100 units/day           | ✓                |                    |                            |
| Difficult Interference                          |                  | ✓                  |                            |
| High Pressure and High Volume > 500 units/day   |                  |                    | ✓                          |
| Prevent False Failures or High First Pass Yield |                  |                    | ✓                          |